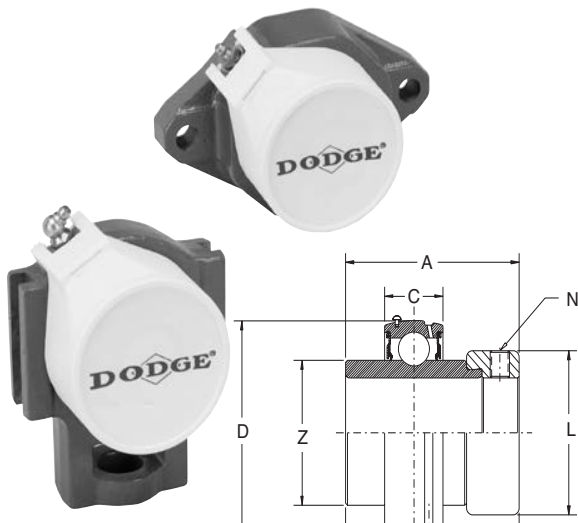




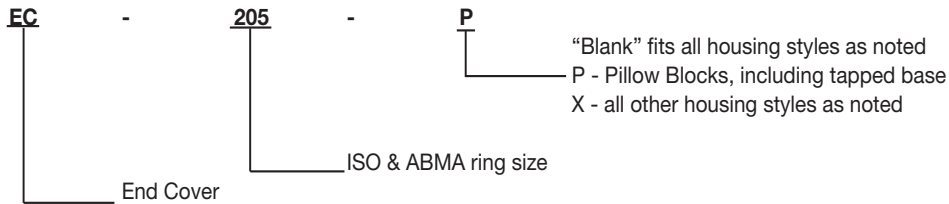
## RELATED PRODUCTS

### Eccentric Collar Ball Bearings DODGE Ball Bearing End Covers\*



- Fits all styles of DODGE cast iron housed ball bearings: Pillow Blocks, 2 and 4 Bolt Flanges, and Take-Up bearings
- Injected molded, impact resistant, OSHA safety yellow end covers meet requirements for exposed rotating shafts
- Stainless steel "C" Washer for gripping power
- No modification or machining of existing housings required
- Concentric knockout grooves on inside of end cover for thru-shaft
- DODGE six digit part number and description embossed inside
- Operating temperature to 250° F
- For non relubricable/sealed for life applications (-NL), part number 430020 hex head plug is available

#### Nomenclature



Series	Pillow Blocks Std, U, B	Tapped Base PB	2 Bolt Flange	Flanged Bracket	4 Bolt Flange	Piloted Flange (FC)	Narrow Slot Take-Up	Wide Slot Take-Up
203	X		X		X			
204	X	X	X	X	X		X	X
205	X	X	X	X	X		X	X
206	X	X	X	X	X	@	X	X
207	X	X	X	X	X	@	X	X
208	X	X	X		X	@	X	X
209	X	X	X		X	@	X	X
210	X	X	X	X	X	@	X	X
211	X	X	X		X	NA	X	X
212	X		X		X	NA	X	X
214	X				X	NA		X
215	X				X			X
216	X				X	X		X
218	X				X	X		

\* = Will not fit LF, LFT, SCHB, HNGR & CLY

@ = Some modification required

NA = Will not fit

X = Will fit

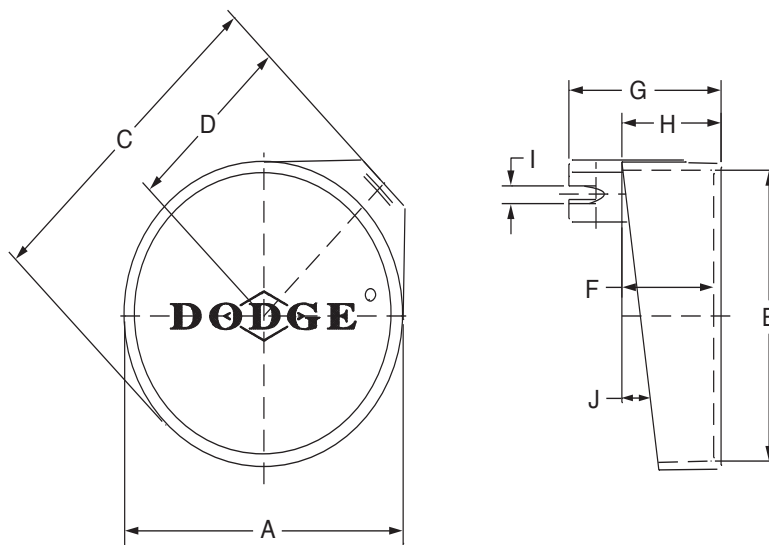
FEATURES/BENEFITS PAGE B7-3	HOW TO ORDER/NOMENCLATURE PAGE B7-5	EASY SELECTION PAGE B7-6	SELECTION/DIMENSIONS PAGE B7-44
--------------------------------	--	-----------------------------	------------------------------------



## RELATED PRODUCTS

### Eccentric Collar Ball Bearings

#### BALL BEARING END COVERS FOR PILLOW BLOCKS & TAPPED BASE UNITS



Series	Shaft Size*		Part Number	Description
	SXR, SXV	SXRH		
203	1/2 & 5/8 17mm	-----	<b>128200</b>	EC-203-P
204	3/4 20mm	-----	<b>128202</b>	EC-204-P
205	7/8 - 1 25mm	-----	<b>128204</b>	EC-205-P
206	1-1/16 - 1-1/4 30mm	-----	<b>128206</b>	EC-206-P
207	1-1/4 - 1-7/16 35mm	1-3/16 & 1-3/4 30mm	<b>128208</b>	EC-207-P
208	1-1/2 40mm	1-7/16 35mm	<b>128210</b>	EC-208-P
209	1-5/8 - 1-3/4 45mm	-----	<b>128212</b>	EC-209-P
210	1-15/16 & 2 50mm	1-11/16 & 1-3/4 45mm	<b>128214</b>	EC-210-P
211	2 - 2-3/16 55mm	1-15/16 & 2 50mm	<b>128216</b>	EC-211-P
212	2-1/4 - 2-7/16 60mm	2-3/16 55mm	<b>128218</b>	EC-212-P

\* NOTE: SXRH uses the next larger end cover. E.G. A P2B-SXRH-103 would use a EC-207-P

FEATURES/BENEFITS  
PAGE B7-3

HOW TO ORDER/NOMENCLATURE  
PAGE B7-5

EASY SELECTION  
PAGE B7-6

SELECTION/DIMENSIONS  
PAGE B7-44

## RELATED PRODUCTS



### Eccentric Collar Ball Bearings BALL BEARING END COVERS FOR PILLOW BLOCKS & TAPPED BASE UNITS

Eccentric Collar Ball Bearing

Setscrew VSC Ball Bearing

Eccentric SXV Collar Ball Bearing

Take-Up Frames

Engineering

Part Number Index

Keyword Index

Series	Shaft Size		Weight lbs gm	A	C	D	E	F	G	H	I	J
	SXR, SXV	SXRH										
203	1/2 & 5/8	-----	.02	1-25/32	2-7/64	1-3/32	1-41/64	49/64	1-29/64	29/32	1/4	9
	17mm		9	45.2	53.6	27.7	41.7	19.6	37.1	22.9	6.4	
204	3/4	-----	.03	2-3/64	2-37/64	1-19/64	1-55/64	1-1/64	1-49/64	1-5/32	5/16	11
	20mm		14	52.0	65.3	33.0	47.2	25.7	45.0	29.5	7.9	
205	7/8 - 1	-----	.05	2-3/8	2-13/16	1-3/16	2-5/32	1-1/16	1-7/8	1-7/32	11/32	9
	25mm		23	60.2	71.4	35.0	54.9	26.9	47.8	31.0	8.6	
206	1-1/16 - 1-1/4	-----	.07	2-47/64	3-21/64	1-45/64	2-1/2	1-15/64	2-5/32	1-13/32	23/64	9
	30mm		34	69.3	84.3	43.2	63.5	31.5	54.9	35.6	8.9	
207	1-1/4 - 1-7/16	1-3/16 & 1-1/4	.11	3-1/4	3-51/64	1-29/32	3-1/64	1-5/16	2-11/32	1-31/64	3/8	7 30'
	35mm	30mm	48	82.6	96.3	48.5	76.7	33.3	59.4	37.6	9.4	
208	1-1/2	1-7/16	.13	3-3/8	4.0	2-1/16	3-7/64	1-19/64	2-13/32	1-1/2	27/64	6
	40mm	35mm	61	85.9	101.6	52.3	79.0	33.0	61.0	38.1	10.7	
209	1-5/8 - 1-3/4	-----	.15	3-11/16	4-17/64	2-11/64	3-13/32	1-21/64	2-21/64	1-17/32	25/64	7
	45mm		69	93.7	108.2	55.1	86.6	33.8	59.2	38.9	9.9	
210	1-15/16 & 2	1-11/16 & 1-3/4	.17	3-7/8	4-1/2	2-19/32	3-37/64	1-23/64	2-1/2	1-9/16	31/64	9
	50mm	45mm	78	98.6	114.3	59.2	90.9	34.3	63.5	39.6	12.5	
211	2 - 2-3/16	1-15/16 & 2	.22	4-27/64	5-1/16	2-19/32	4-1/8	1-13/32	2-37/64	1-5/8	29/64	7
	55mm	50mm	102	112.3	128.5	66.0	104.7	35.8	65.3	41.2	11.4	
212	2-1/4 - 2-7/16	2-3/16	.26	4-59/64	5-29/64	2-3/4	4-39/64	1-17/32	2-11/16	1-3/4	13/32	8
	60mm	55mm	118	125.0	138.7	69.9	117.1	38.9	68.3	44.5	10.4	

For no-re-lube (-NL) applications, part number 430020, hex head plug is available

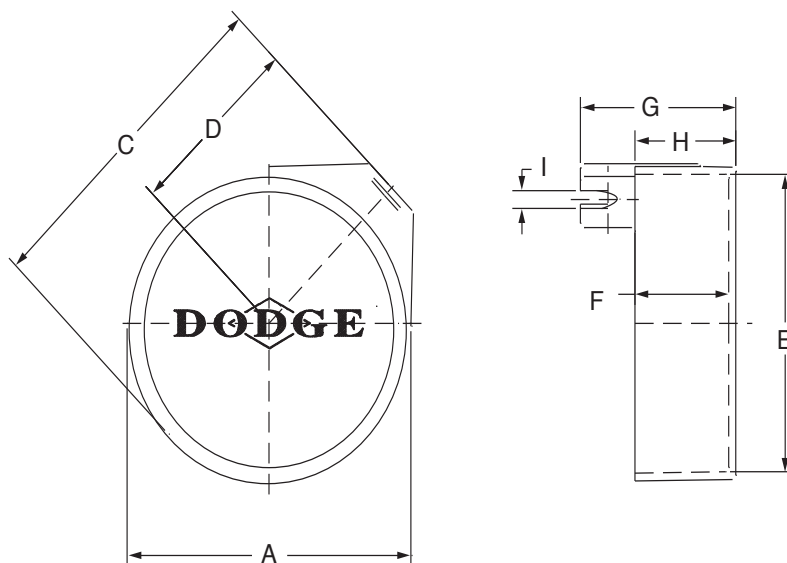
FEATURES/BENEFITS PAGE B7-3	HOW TO ORDER/NOMENCLATURE PAGE B7-5	EASY SELECTION PAGE B7-6	SELECTION/DIMENSIONS PAGE B7-44
--------------------------------	--	-----------------------------	------------------------------------



## RELATED PRODUCTS

### Eccentric Collar Ball Bearings

#### BALL BEARING END COVERS FOR MOUNTED UNITS OTHER THAN PILLOW BLOCKS & TAPPED BASE UNITS



Series	Shaft Size*	Part Number	Description
	SXR, SXV		
203	1/2 & 5/8 17mm	128201	EC-203-X
204	3/4 20mm	128203	EC-204-X
205	7/8 - 1 25mm	128205	EC-205-X
206	1-1/16 - 1-1/4 30mm	128207	EC-206-X
207	1-1/4 - 1-7/16 35mm	128209	EC-207-X
208	1-1/2 40mm	128211	EC-208-X
209	1-5/8 - 1-3/4 45mm	128213	EC-209-X
210	1-15/16 & 2 50mm	128215	EC-210-X
211	2 - 2-3/16 55mm	128217	EC-211-X
212	2-1/4 - 2-7/16 60mm	128219	EC-212-X

\* NOTE: Above end covers will not fit the LF and LFT bearings

FEATURES/BENEFITS  
PAGE B7-3

HOW TO ORDER/NOMENCLATURE  
PAGE B7-5

EASY SELECTION  
PAGE B7-6

SELECTION/DIMENSIONS  
PAGE B7-44

Eccentric Collar Ball Bearings  
Setscrew VSC Ball Bearing  
Eccentric SXV Collar Ball Bearing  
Take-Up Frames  
Engineering  
Part Number Index  
Keyword Index

## RELATED PRODUCTS



### Eccentric Collar Ball Bearings

#### BALL BEARING END COVERS FOR MOUNTED UNITS OTHER THAN PILLOW BLOCKS & TAPPED BASE UNITS

Eccentric Collar Ball Bearing

Setscrew VSC Ball Bearing

Eccentric SXV Collar Ball Bearing

Take-Up Frames

Engineering

Part Number Index

Keyword Index

Series	Shaft Size	Weight <i>lbs</i> <i>gm</i>	A	C	D	E	F	G	H	I
	SXR, SXV									
203	1/2 & 5/8	0.02	1-51/64	2-13/64	1-3/16	1-41/64	51/64	1-29/64	15/16	1/4
	17mm	10	45.5	56.1	30.2	41.7	20.3	37.1	23.9	6.4
204	3/4	0.03	2-7/32	2-47/64	1-25/64	2-1/32	1-1/64	1-13/16	1-5/32	5/16
	20mm	15	56.1	69.6	35.3	51.6	25.7	45.7	29.5	7.9
205	7/8 - 1	0.05	2-3/8	3-3/64	1-19/32	2-5/32	1-1/64	1-53/64	1-11/64	11/32
	25mm	24	60.2	77.2	40.6	54.9	25.7	46.5	29.7	8.7
206	1-1/16 - 1-1/4	0.08	2-47/64	3-21/64	1-45/64	2-1/2	1-3/16	2-1/16	1-23/64	23/64
	30mm	36	69.3	84.3	43.2	63.5	30.2	52.3	34.5	8.9
207	1-1/4 - 1-7/16	0.12	3-1/4	3-27/32	1-31/32	3-1/64	1-11/32	2-11/32	1-17/32	3/8
	35mm	53	82.6	97.5	50.0	76.7	34.5	59.4	38.9	9.4
208	1-1/2	0.14	3-3/8	4.0	2-1/16	3-7/64	1-19/64	2-13/32	1-1/2	27/64
	40mm	64	85.9	101.6	52.3	79.0	33.0	61.0	38.1	10.7
209	1-5/8 - 1-3/4	0.16	3-11/16	4-17/64	2-11/64	3-13/32	1-23/64	2-21/64	1-17/32	25/64
	45mm	73	93.7	108.2	55.1	86.6	34.3	59.2	38.9	9.9
210	1-15/16 & 2	0.18	3-7/8	4-1/2	2-21/64	3-9/16	1-23/64	2-33/64	1-9/16	31/64
	50mm	82	98.6	114.3	59.2	90.9	34.3	63.8	39.6	12.4
211	2 - 2-3/16	0.24	4-27/64	5-1/16	2-19/32	4-1/8	1-29/64	2-37/64	1-21/32	29/64
	55mm	108	112.3	128.5	66.0	104.7	36.8	65.3	42.2	11.4
212	2-1/4 - 2-7/16	0.27	4-59/64	5-15/32	2-3/4	4-39/64	1-35/64	2-11/16	1-3/4	13/32
	60mm	124	125.0	138.7	69.9	117.1	39.1	68.3	44.5	10.4

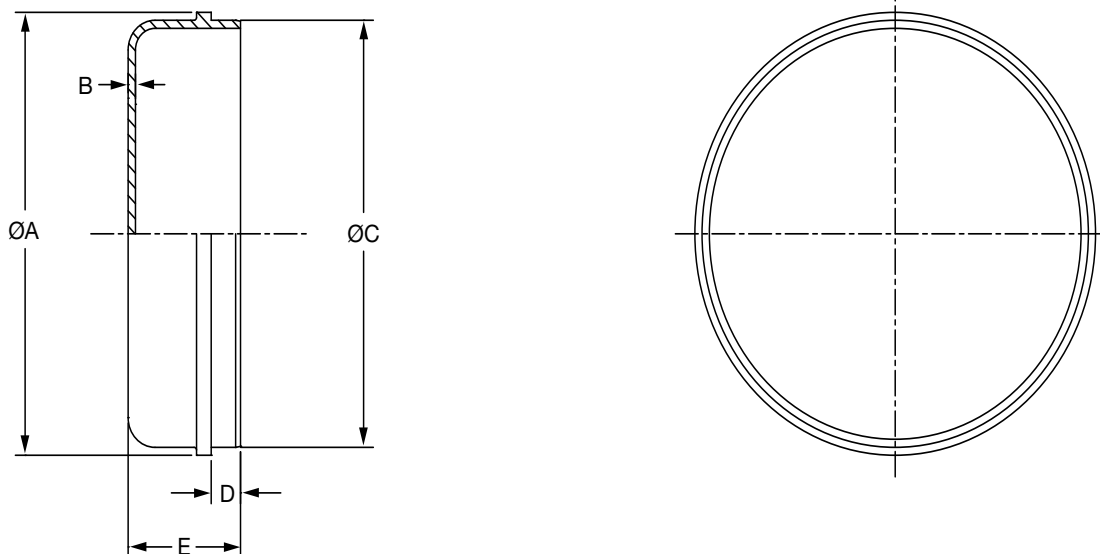
FEATURES/BENEFITS PAGE B7-3	HOW TO ORDER/NOMENCLATURE PAGE B7-5	EASY SELECTION PAGE B7-6	SELECTION/DIMENSIONS PAGE B7-44
--------------------------------	--	-----------------------------	------------------------------------



## RELATED PRODUCTS

### Eccentric Collar Ball Bearings

#### BALL BEARING END COVERS FOR MOUNTED UNITS 214 SERIES & LARGER



Series	Shaft Size	Part Number	Description
	SXR, SXV		
214	2-1/2 & 2-11/16 70mm	480037	EC-080
215	2-15/16 75mm	480455	EC-090
216	-----	480456	EC-100
218	-----	480457	EC-218

Series	Shaft Size	Weight lbs gm	A	B	C	D	E
	SXR, SXV						
214	2-1/2 & 2-11/16	0.33	4-15/16	3/32	4.741/4.737	3/16	1-13/32
	70mm	151	125.4	2.4	120.4/120.3	4.8	35.7
215	2/15/16	0.36	5-1/8	3/32	4.944/4.940	3/8	1-7/16
	75mm	154	130.2	2.4	125.6/125.5	9.5	36.5
216	-----	0.44	5-9/16	3/32	5.350/5.346	9/32	1-7/16
		201	141.3	2.4	135.9/135.8	7.1	36.5
218	-----	0.57	6-5/16	3/32	6.100/6.096	3/8	1-9/16
		257	160.3	2.4	154.9/154.8	9.5	39.7

NOTE: WILL NOT WORK WITH PILLOW-BLOCK HOUSINGS

FEATURES/BENEFITS PAGE B7-3	HOW TO ORDER/NOMENCLATURE PAGE B7-5	EASY SELECTION PAGE B7-6	SELECTION/DIMENSIONS PAGE B7-44
--------------------------------	--	-----------------------------	------------------------------------

Eccentric Collar Ball Bearings  
 Setscrew VSC Ball Bearing  
 Eccentric SXV Collar Ball Bearing  
 Take-Up Frames  
 Engineering  
 Part Number Index  
 Keyword Index